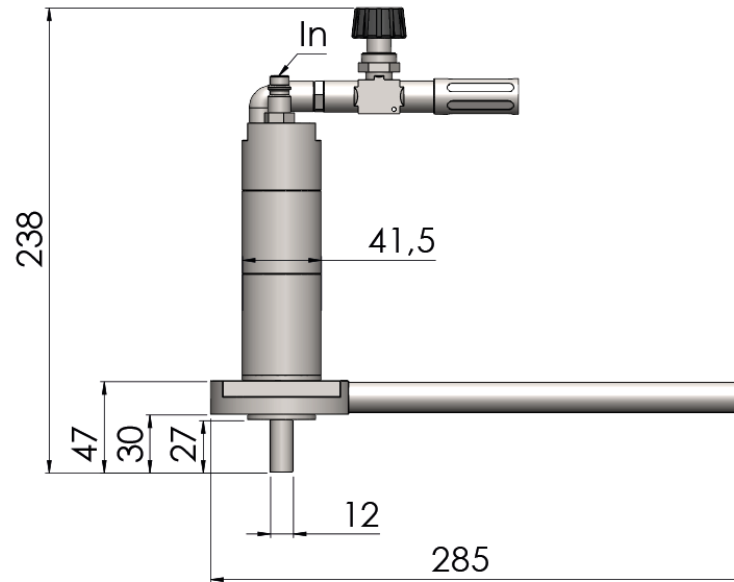


PLM 38/580



All dimensions in mm