

# Compressed air laboratory stirrers PLR 10 model series

## General specifications

- All-stainless steel housing
- Operating pressure 3-6 bar
- Air consumption 260 L/min. at 6 bar
- Clockwise rotation
- ATEX certification



## Basic models include

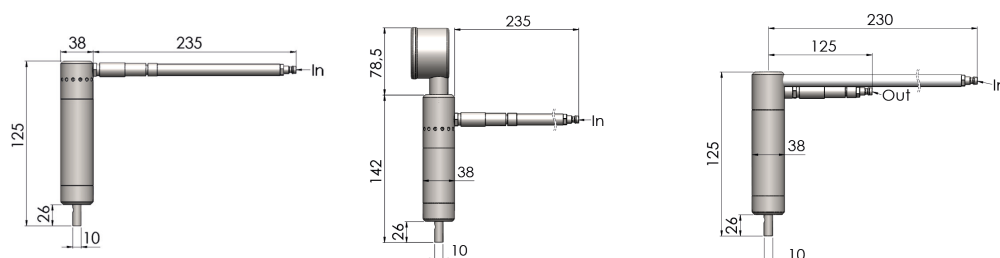
- Continuously adjustable speed control valve
- Support arm Ø 14 mm
- Plug-in connector for DN 5

Required accessories connection coupling type VK 10 not included.



Type	PLR 10	PLR 10 T	PLR 10 GA
Power output	200 Watt	200 Watt	200 Watt
Volume	3 L	3 L	5 L
Viscosity	1000 mPas	1000 mPas	1000 mPas
Torque	0.3 Nm	0.3 Nm	0.3 Nm
No-load speed	15000 rpm	15000 rpm	15000 rpm
Minimum operation speed	1000 rpm	1000 rpm	1000 rpm
ATEX	Ex II 2G Ex h IIC T4 Gb	Ex II 2G Ex h IIC T4 Gb	Ex II 2G Ex h IIC T4 Gb
Code-No.	40 26446 00247 3	40 26446 00248 0	40 26446 00480 4

Viscosity data to be considered as guidelines. All technical data pertaining to 6 bar.



All dimensions in mm.

### Standard design

Used compressed air can escape freely via exhaust air holes on the housing.  
No additional connections for an exhaust air duct are required.

### T design

The T models are equipped with an analogue speed display and simplify reproducible stirring processes with the same speed.

**Speed range**

 High to very high

**Types of mixing**

-  Homogenising
-  Gas injection
-  Dispersing

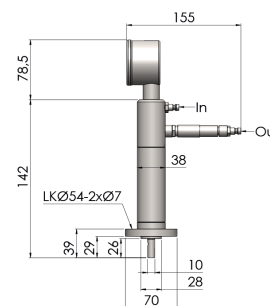
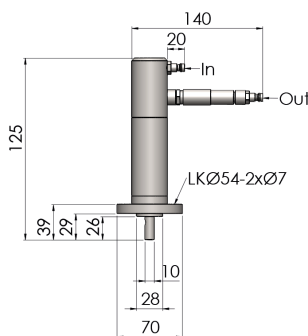
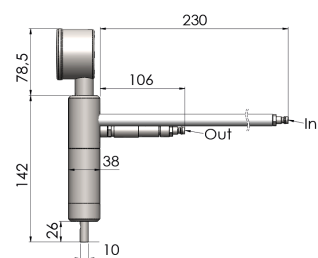


**PLR 10 T GA**

**PMR 10 GA**

**PMR 10T GA**

200 Watt	200 Watt	200 Watt
5 L	5 L	5 L
1000 mPas	1000 mPas	1000 mPas
0.3 Nm	0.3 Nm	0.3 Nm
15000 rpm	15000 rpm	15000 rpm
1000 rpm	1000 rpm	1000 rpm
Ex II 2G Ex h IIC T4 Gb	Ex II 2G Ex h IIC T4 Gb	Ex II 2G Ex h IIC T4 Gb
40 26446 00485 9	40 26446 00610 5	40 26446 00772 0



All dimensions in mm.

**GA design**

GA models feature a separate outlet connection for ducting the exhaust air which leads to improved performance at low speed and results in reduced noise levels. Discharging the exhaust air also enables the use in clean rooms.